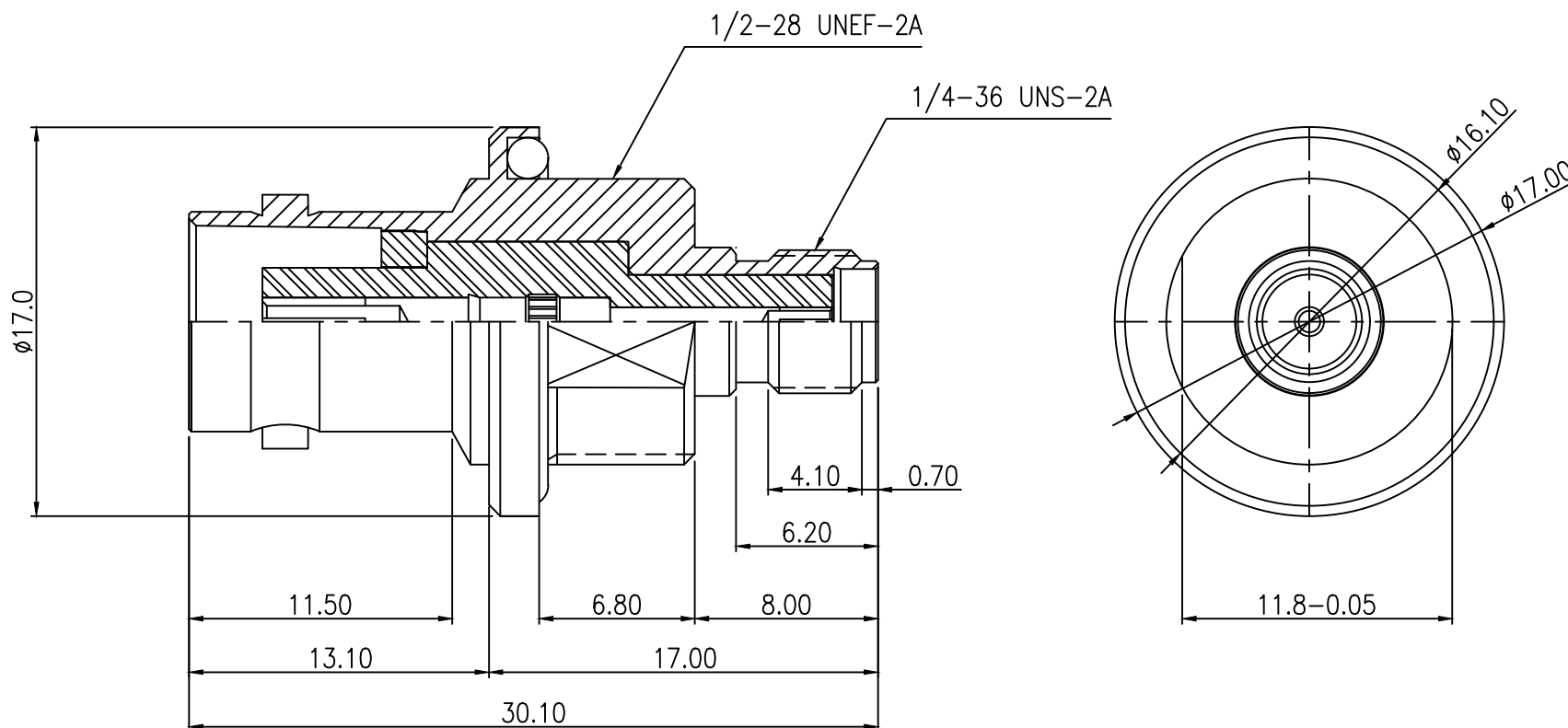


This document contains proprietary information and may not be reproduced or copied without the express written permission of RFCM.

REV	DESCRIPTION	CHECK	APR	DATE



UNLESS OTHERWISE SPECIFIED : ALL DIMS IN MILLIMETERS TOLERANCES ON DECIMALS 1 PLACE - ANGLE - 1.60° 2 PLACE - REMOVE BURRS. BREAK SHARP EDGES		THIRD ANGLE 			
DRAW	DESIGN	CHECK	APPRO.		
BY: KMM		DB CHONGK HONG		BNC(F) TO SMA(F) ADAPTOR	
2022. 1.07		2022. 1.07	2022. 1.07	SIZE A4	DWG NO. N/A
Material	KS-D-5101 C3604BD			REV A	
Finish	Nickel Plated			Scale : NS	Do Not Scale Drawing
				1 of 1	